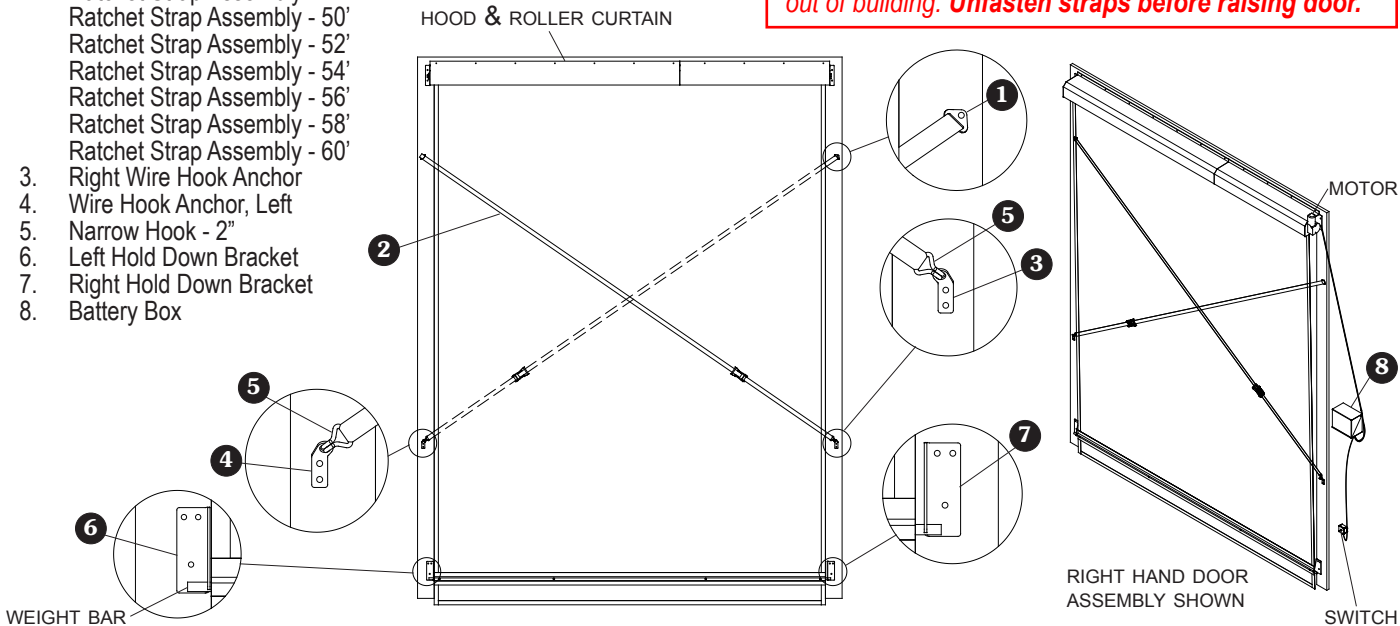


Item Description

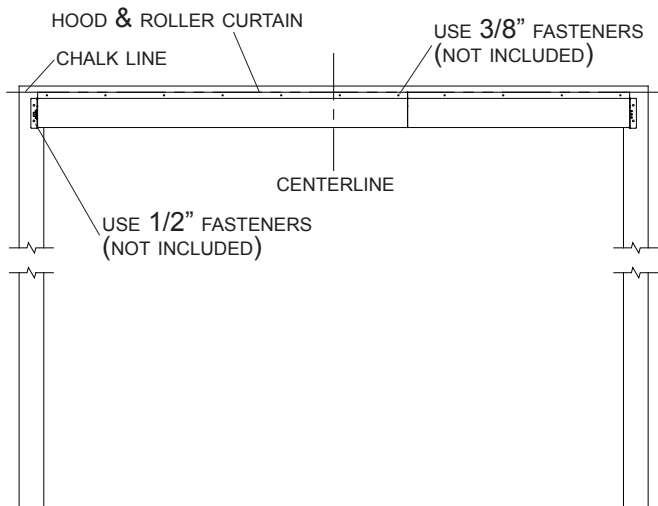
1. Mounting Plate
2. Ratchet Strap Assembly - 44'
3. Ratchet Strap Assembly - 50'
4. Ratchet Strap Assembly - 52'
5. Ratchet Strap Assembly - 54'
6. Ratchet Strap Assembly - 56'
7. Ratchet Strap Assembly - 58'
8. Ratchet Strap Assembly - 60'
3. Right Wire Hook Anchor
4. Wire Hook Anchor, Left
5. Narrow Hook - 2"
6. Left Hold Down Bracket
7. Right Hold Down Bracket
8. Battery Box

NOTE: Ratchet straps are designed to surround fabric door when closed, preventing door from fluttering in and out of building. **Unfasten straps before raising door.**

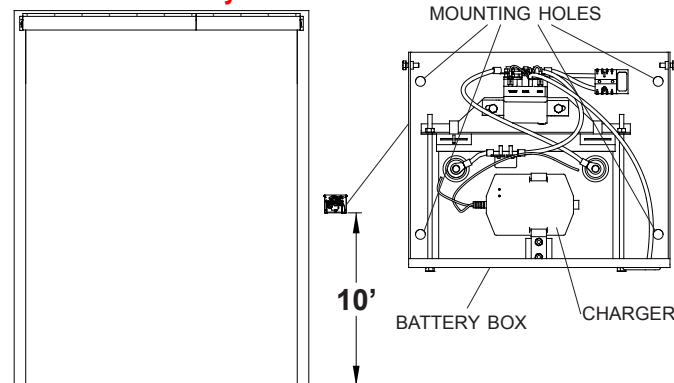


STEP 1: Using a chalk line, snap a level line directly above doorway opening. Identify center of doorway. Center Block 'n Roll™ roller curtain on doorway. With sufficient help, lift roller curtain up. Align hood with chalk line.

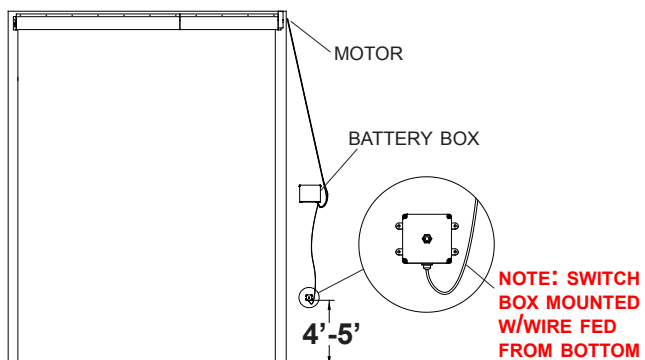
STEP 2: Fasten roller curtain with 3/8" fasteners (not included) on top of hood, and 1/2" fasteners (not included) on the sides of hood, using every mounting hole on hood, making sure hood remains level. Make sure fasteners are inserted into strong and solid wood/other header. Tighten fasteners securely.
Leave fabric door rolled up.



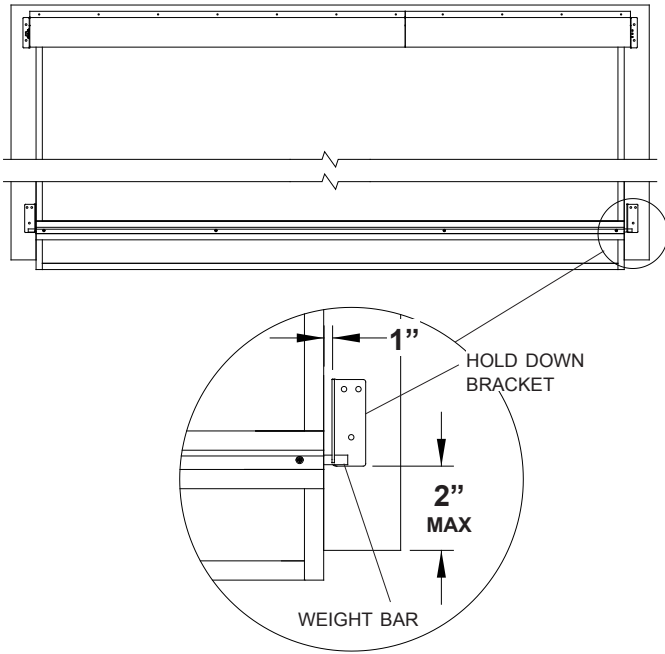
STEP 3: Using four holes on back of battery box, mount battery box in a convenient location on the exterior of the building approximately 10' above floor level. Place battery in box with trickle charger. **Do not connect to battery terminals at this time.**



STEP 4: Install up/down switch box 4'-5' above floor and plug-in quick disconnect cable from motor to battery box. Connect cables from solenoid and from trickle charger to battery terminals, plug-in trickle charger to 120v outlet. Double check positive (+) is to positive (+), and negative (-) is to negative (-).

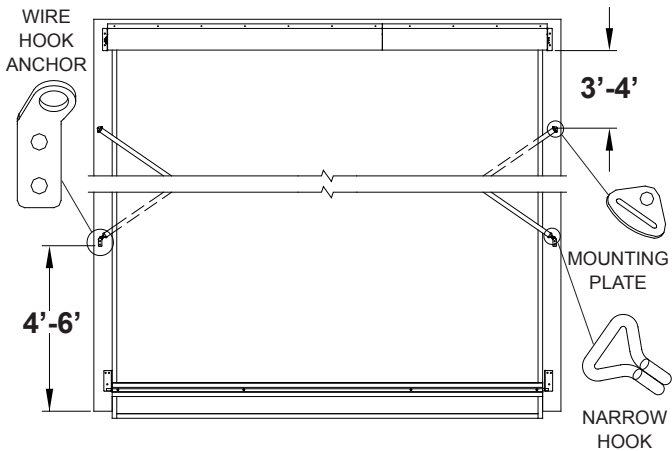


STEP 5: Bring door to closed position. Install hold down brackets 1" from outside edge of door, and not more than 2" above floor level on each side of doorway. Secure weight bar under hold down brackets.



STEP 6: With door in closed position, install ratchet straps to form an "X" pattern. Install mounting plate and hook onto straps. Position first strap approximately 3'-4' below hood on upper right hand side using mounting plates. Repeat on left side. Take the right hand side strap and bring to bottom left of door. Mount wire hook anchor approximately 4'-6' above floor level. Repeat on opposite side.

NOTE: Do not try to raise door with straps in place.



Electric Motor Wiring

(Wiring diagram shown for door with right hand motor)

